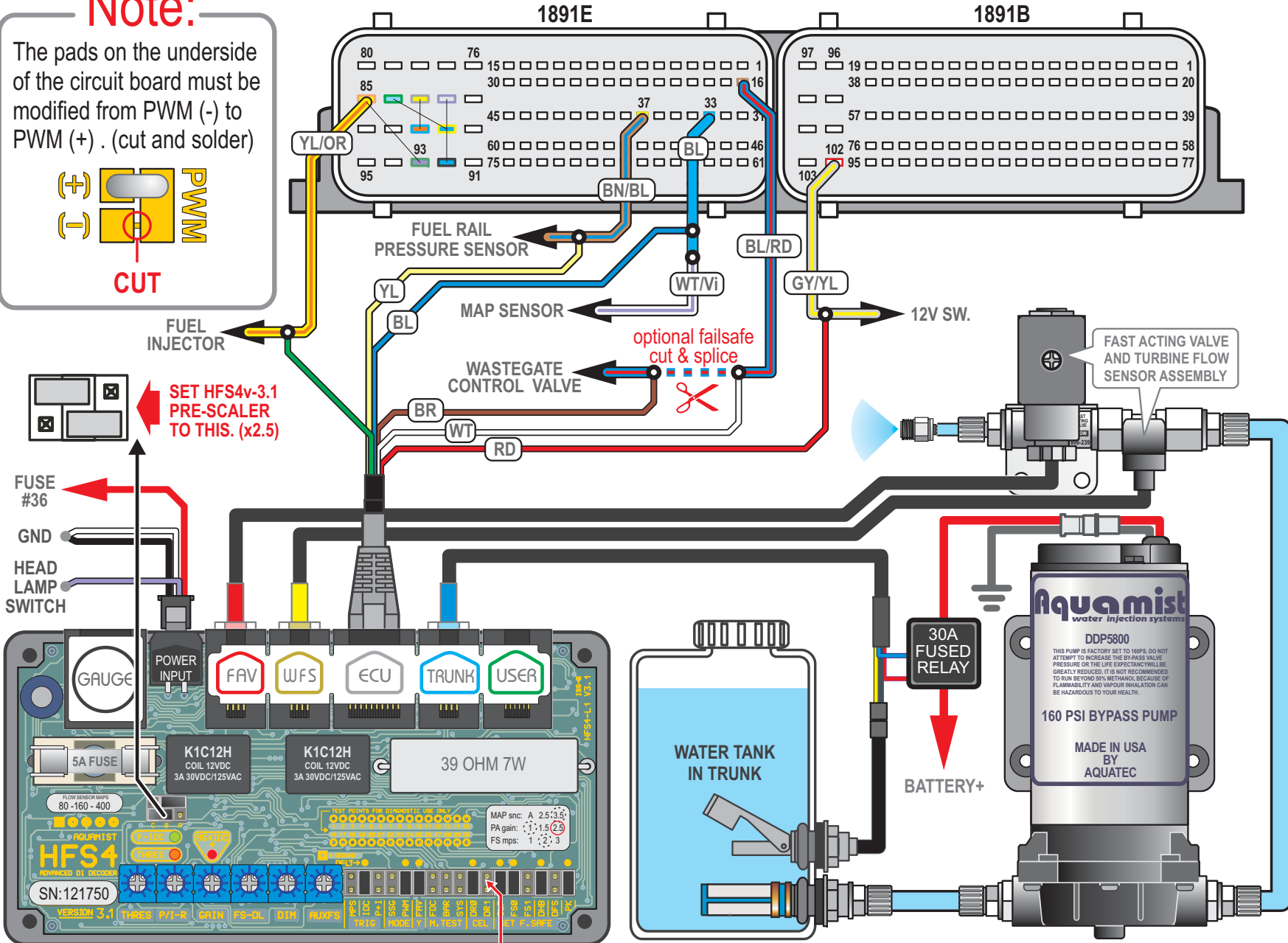
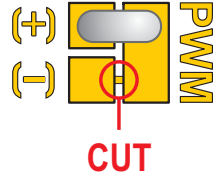


HFS4-v3.1 for Ford Focus ST 2.0L (2015 on) v1

preliminary

Note:

The pads on the underside of the circuit board must be modified from PWM (-) to PWM (+) . (cut and solder)



SET HFS4v-3.1 PRE-SCALER TO THIS. (x2.5)

FUSE #36
GND
HEAD LAMP SWITCH

link DR1 to avoid CEL upon failsafe activation (only do this after a successful installation)